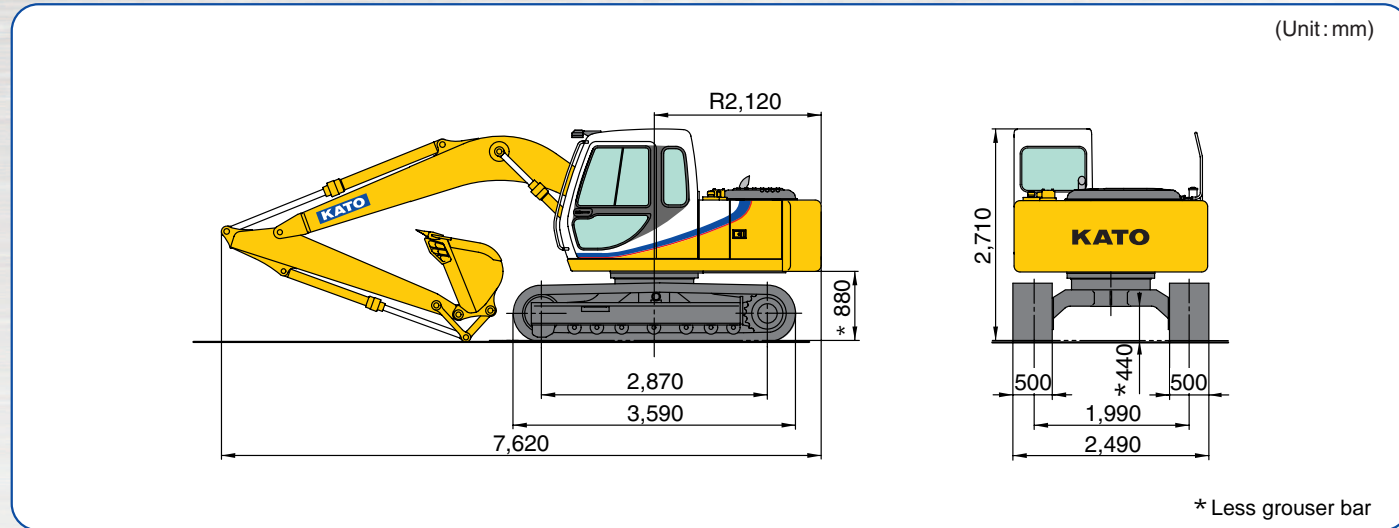


Bucket capacity: 0.25m³ - 0.60m³ (ISO)
 Engine output: 68kW/2,050min⁻¹ (ISO Net)
 Operating weight: 12,100kg

Dimensions



Standard Equipment

- New APC mode
- New auto-slow · One-touch-slow
- Multi-mode display monitor
- Adjustable monitor alarm
- 2 service hour meter
- 3 traveling mode
- Automatic travel speed change
- Spring assisted pull-up front window
- 6 points viscous damping cab suspension
- Multi position operator's seat
- Adjustable seat suspension
- Adjustable speed window wiper
- Front window washer (2 sprays)
- Rear emergency escape window
- Cabin light connected to cabin door
- 2 working lights (Upper front right side & Boom left side)
- Main control valve with antidrift valves (Boom and Arm)
- Digging force booster (High power)
- Swing shockless valve
- Automatic swing parking brake
- Automatic travel parking brake
- One free service circuit for attachments
- Rear view mirror (right side)
- Fire wall

Optional Equipment

- Tinted transparent hatch
- Seat belt
- Automatic climate control air conditioner
- Hot & cool box contained with AC
- Auto tuning AM/FM radio with clock
- 2 speaker stereo
- Working light (Cab left side)
- Working light (Boom right side)
- Working light (Cab right side)
- Rear view mirror (left side)
- Cab access step
- Optional piping
- Safety lock valve (Boom and Arm cylinders)
- Cab front half guard
- Cab front full guard
- Cab head guard
- Electronic horn
- Cabin fan
- Swing warning light
- Travel alarm
- Refueling pump
- Air cleaner, double element
- Low temperature spec
- Tool set
- Track guard, 1 pc each side
- Track guard, 2 pcs each side
- Track guard, 3 pcs each side
- Full-length track guard

NOTE : Illustrations may include optional equipment. KATO products and specifications are subject to improvements and changes without notice.

Address inquiries to :



KATO WORKS CO.,LTD.

9-37, Higashi-ohi 1-chome, Shinagawa-ku, Tokyo 140-0011, Japan.
 Tel. : Head Office Tokyo(03)3458-1111
 Overseas Marketing Department Tokyo(03)3458-1115
 Fax. : Tokyo(03)3458-1152
 URL http://www.kato-works.co.jp



Gentle with Nature, Gentle with you Try and Feel the New Epoch of Performance



Roomy and Comfortable Cabin

- Auto air conditioner (option)
- UV cut glass
- Ideal layout of each controlling gear
- Mono piece big & wide side window
- Anti-static-electricity fabric seat
- Wide range adjustable seating position

Powerful Engine

Max Output: 68kW/2,050min-1(ISO Net)
with inter-cooler & turbo-charger

Low Noise Emission

100dB(A)*, sound power level

Low Engine Emission

Complying with the latest
emission control

Durable Cooling System

High performance radiator and
aluminum oil cooler
Easy access for cleaning.

Replacement Interval of Hydraulic Oil: 5,000 hours

*JIS Sound power level.

Technical Specifications

ENGINE

Model Mitsubishi 4D34-TLE2A, 4 cycle turbo charged diesel engine

Number of cylinders 4

Bore & Stroke 104mm x 115mm

Total displacement 3.91 L

Rated output 68kW/2,050min⁻¹ (ISO Net)

Max. torque 360N·m/1,600min⁻¹ (ISO Net)

Compression ratio 16.5:1

Combustion system Direct injection

Cooling system Pressurized water circulated by a centrifugal pump with thermostat

Lubrication system Pressurized oil fed by a gear pump through full-flow and bypass cartridge filter

Starter Electric, 24V-5kW

Generator Alternator, 24V-50A

Governor Mechanical

Air cleaner Dry type filter

HYDRAULIC SYSTEM

Pumps Double variable piston pump and gear pump

Max. discharge flow 2 x 121L/min

Max. discharge pressure 29.4MPa

Max. discharge pressure (travel circuit only) 32.9MPa

Oil filtration Full-flow filter with replaceable element, a drain cartridge filter, a pilot line filter and a suction strainer

Control valve 3 + 4 section multiple control valve (with one free service circuit)

Pilot pump Gear type

Oil cooler Finned tube, forced ventilation

Pressure relief valves Primary and secondary on each circuit

CAB & CONTROLS

Type All weather sound suppressed, 1,000mm wide pressed steel cab mounted on 6 point viscous mounting.

Right hand lever Controls the boom & bucket

Inner right hand lever (with foot pedal) Controls the right hand track

Inner left hand lever (with foot pedal) Controls the left hand track

Left hand lever Controls the arm & swing

Pilot control Travel, boom, arm, bucket and swing

Engine throttle Electric "Accel dial"

Meter & gauges Hour meter, water temperature and fuel level

Monitor display Engine oil pressure, engine oil filter, hydraulic oil filter, hydraulic oil temperature, water temperature, water level, fuel level, battery charge, APC monitor and air cleaner.

Indicator lamps Caution lamp & Engine preheater indicator lamp

Working lights Provided on the boom left side and mounted on the frame

Lubrication chart Inside the tool box



Option specification

SWING SYSTEM

Drive Axial piston motor with shockless valve and reduction gear.

Brake A hydraulic brake that locks automatically when the swing control lever is in the neutral position and a mechanical parking brake which is applied when the safety lock lever is pulled backwards, the engine is turned off or the swing control lever is in the neutral position.

Lubrication Completely housed and grease bathed

Max. swing speed 12.5min⁻¹

Tail swing radius 2,120mm

Min. front swing radius 2,390mm

BOOM, ARM AND BUCKET

Boom cylinders Two, double acting

Bore & Stroke 105mm x 1,080mm

Arm cylinder One, double acting

Bore & Stroke 120mm x 1,215mm

Bucket cylinder One, double acting

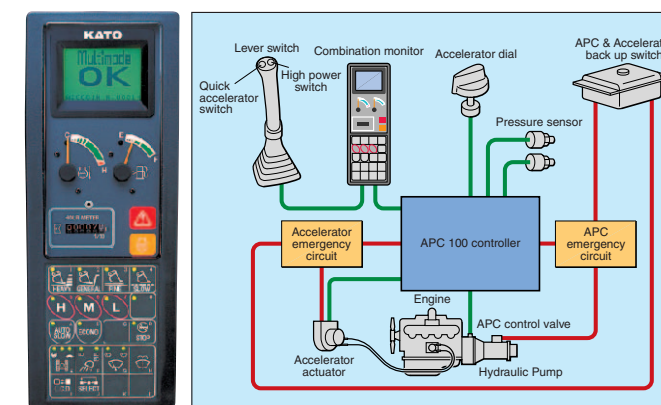
Bore & Stroke 95mm x 995mm

Lubrication Grease nipples, with centralized greasing for remote points

Bucket digging force 88kN (High power) 98kN

Arm digging force 64kN (High power) 71kN

(High power can be used with STD arm and short arm)



Combination monitor

"APC" system



Air conditioner control panel (option)

SERVICE DATA

Fuel tank 275 L

Cooling system 18 L

Engine oil 17 L

Track drives 2 x 2.5 L

Swing drive 2.5 L

Hydraulic oil tank (level) 74 L (system) 155 L

In standard figure, with the 2.5m arm, 500mm grouser shoes and 0.50m³(ISO) bucket.

Operating weight 12,100kg

Ground pressure 38kPa

TRAVEL SYSTEM

Drive Independent axial piston motor with reduction for each side

Brakes Independent disk parking brake for each side, applied automatically when the travel levers are in the neutral position.

Track shoes 44 each side

Track adjustment Grease cylinders with recoil springs

Lubrication Sealed-for-life rollers and front idlers with floating seals

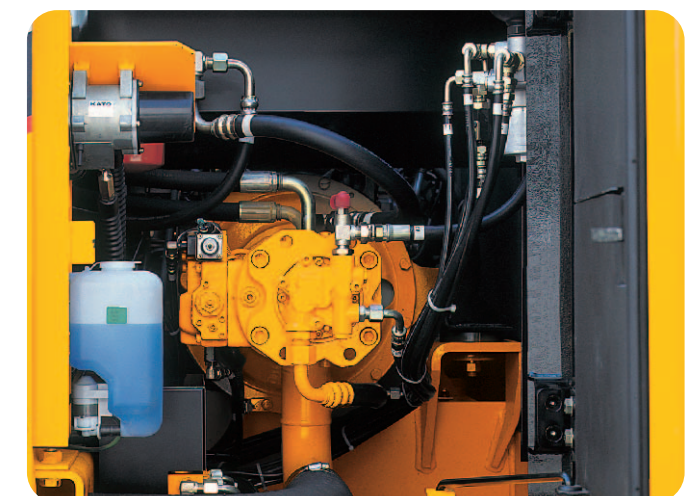
Travel speed High 0 ~ 5.5km/h
Medium 0 ~ 3.5km/h
Low 0 ~ 2.5km/h

Gradeability 70% (35°)

Max. drawbar pull 100kN

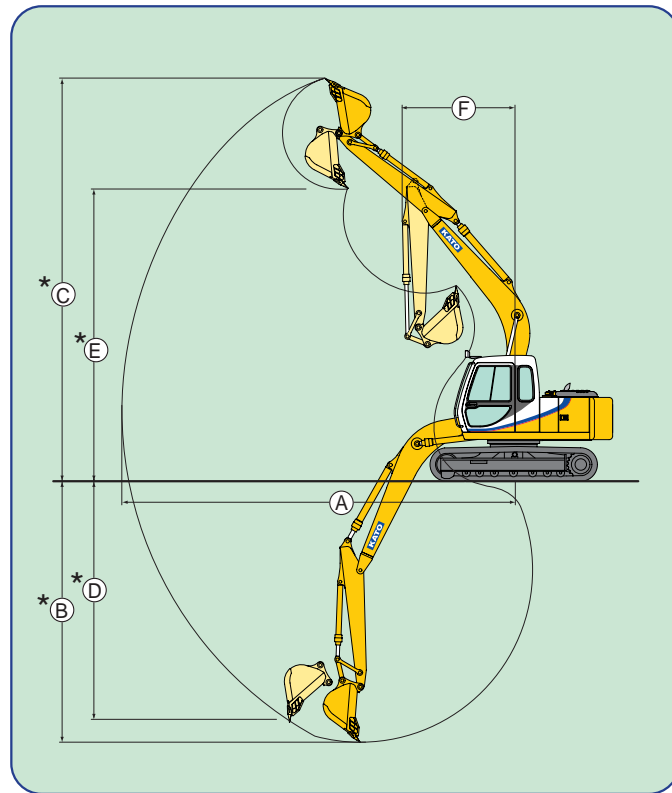
Ground clearance (less grouser bar) 440mm

Track length 3,590mm



Fire wall

Working Ranges



Range	Arm	Short Arm (2.1m)	STD Arm (2.5m)	Long Arm (3.0m)
A-Max. digging radius		7,930	8,300	8,760
*B-Max. digging depth		5,220	5,620	6,130
*C-Max. digging height		8,380	8,610	8,870
*D-Max. vertical wall		4,670	5,070	5,470
*E-Max. dumping height		6,010	6,240	6,520
F-Min. swing radius		2,410	2,390	2,470

★ Less grouser bar.

Bucket

Type of bucket	Backhoe bucket								Slope forming bucket
Bucket capacity m ³ , ISO	0.25	0.35	0.40	0.45	0.50	0.55	0.60	-	
Bucket width	W/O side cutters, mm	540	695	785	875	910	1,000	1,090	1,800
	with side cutters, mm	630	785	875	965	1,000	1,090	1,180	1,000
Bucket weight kg	290	340	370	380	420	440	460	620	
Number of bucket teeth	3	4	4	4	5	5	5	-	
Shape of bucket									
Standard boom +	short arm								
	Standard arm								
	Long arm					*	x	x	
	Extension arm(1,000mm)			x	x	x	x	x	x

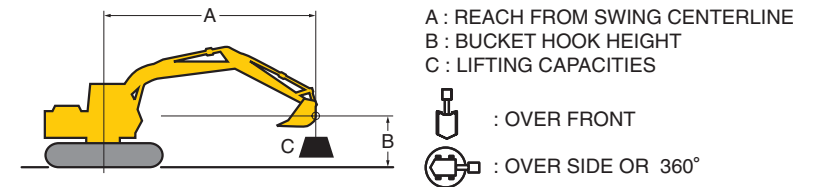
General purpose Light work Loading Usable x Unusable ★Usable only when 700mm shoe is fitted on.
Yellow colored area means standard.

Track Shoes

Type of shoes	Grouser shoe			Flat shoe	Triangle shoe
Shoe width mm	500	600	700	500	700
Overall width mm	2,490	2,590	2,690	2,490	2,690
Ground pressure kPa	38	32	28	39	28
Net weight change kg	S.T.D	+180	+480	+420	+460

Yellow colored area means standard.

Lifting Capacities



HD512III 500mm Shoe, 4.65m Boom, 2.50m Arm, 0.50m³ Bucket (415kg)

Unit: 1,000kg

LAOD POINT HEIGHT B (m)	OUTREACH A m												RATING AT MAXIMUM REACH		
	2.00		3.00		4.00		5.00		6.00		7.00		Icon	Icon	m
7.00															
6.00															
5.00							* 2.15	* 2.15	* 2.35	1.92					
4.00							* 2.42	* 2.42	* 2.45	1.90			* 1.47	1.44	6.89
3.00			* 3.75	* 3.75	* 3.15	* 3.15	* 2.84	2.53	2.66	1.84	2.01	1.37	* 1.49	1.30	7.18
2.00			* 5.53	5.47	* 4.05	3.44	* 3.36	2.40	2.58	1.77	1.98	1.33	* 1.55	1.22	7.32
1.00			* 5.12	5.04	4.89	3.22	3.38	2.28	2.51	1.70	1.94	1.30	* 1.65	1.19	7.33
0.00	* 2.99	* 2.99	* 4.86	4.81	4.71	3.07	3.27	2.18	2.44	1.64	1.90	1.26	* 1.82	1.21	7.19
-1.00	* 4.55	* 4.55	* 4.83	4.73	4.62	2.99	3.20	2.12	2.40	1.60			1.93	1.28	6.90
-2.00	* 4.83	* 4.83	* 4.88	4.73	4.59	2.96	3.18	2.10	2.39	1.59			2.15	1.43	6.45
-3.00	* 4.77	* 4.77	* 5.05	4.79	4.62	2.99	3.21	2.12					2.57	1.71	5.79
-4.00	* 4.90	* 4.90	* 5.51	4.92	4.72	3.08							3.49	2.33	4.83

HD512III 600mm Shoe, 4.65m Boom, 2.50m Arm, 0.50m³ Bucket (415kg)

Unit: 1,000kg

LAOD POINT HEIGHT B (m)	OUTREACH A m												RATING AT MAXIMUM REACH		
	2.00		3.00		4.00		5.00		6.00		7.00		Icon	Icon	m
7.00															
6.00															
5.00							* 2.15	* 2.15	* 2.35	1.95					
4.00							* 2.42	* 2.42	* 2.45	1.93			* 1.47	1.46	6.89
3.00			* 3.75	* 3.75	* 3.15	* 3.15	* 2.84	2.57	* 2.68	1.87	2.05	1.39	* 1.49	1.32	7.18
2.00			* 5.53	* 5.53	* 4.05	3.49	* 3.36	2.44	2.63	1.80	2.01	1.36	* 1.55	1.24	7.32
1.00			* 5.12	5.11	* 4.91	3.27	3.43	2.32	2.55	1.72	1.97	1.32	* 1.65	1.21	7.33
0.00	* 2.99	* 2.99	* 4.86	* 4.86	4.79	3.12	3.33	2.22	2.48	1.66	1.94	1.29	* 1.82	1.23	7.19
-1.00	* 4.55	* 4.55	* 4.83	4.80	4.69	3.03	3.26	2.16	2.44	1.63			1.96	1.30	6.90
-2.00	* 4.83	* 4.83	* 4.88	4.80	4.66	3.01	3.23	2.14	2.44	1.62			2.19	1.45	6.45
-3.00	* 4.77	* 4.77	* 5.05	4.86	4.69	3.04	3.26	2.16					2.61	1.74	5.79
-4.00	* 4.90	* 4.90	* 5.51	5.00	4.80	3.13							3.54	2.36	4.83

HD512III 700mm Shoe, 4.65m Boom, 2.50m Arm, 0.50m³ Bucket (415kg)

Unit: 1,000kg

LAOD POINT HEIGHT B (m)	OUTREACH A m												RATING AT MAXIMUM REACH		
	2.00		3.00		4.00		5.00		6.00		7.00		Icon	Icon	m
7.00															
6.00															
5.00							* 2.15	* 2.15	* 2.35	2.00					
4.00							* 2.42	* 2.42	* 2.45	1.98			* 1.47	* 1.47	6.89
3.00			* 3.75	* 3.75	* 3.15	* 3.15	* 2.84	2.63	* 2.68	1.92	2.11	1.43	* 1.49	1.36	7.18
2.00			* 5.53	* 5.53	* 4.05	3.57	* 3.36	2.50	2.70	1.85	2.07	1.40	* 1.55	1.28	7.32
1.00			* 5.12	* 5.12	* 4.91	3.36	3.53	2.38	2.62	1.77	2.03	1.36	* 1.65	1.25	7.33
0.00	* 2.99	* 2.99	* 4.86	* 4.86	4.91	3.20	3.42	2.28	2.56	1.71	2.00	1.33	* 1.82	1.27	7.19
-1.00	* 4.55	* 4.55	* 4.83	* 4.83	4.82	3.12	3.35	2.22	2.52	1.68			2.02	1.35	6.90
-2.00	* 4.83	* 4.83	* 4.88	* 4.88	4.79	3.09	3.33	2.20	2.51	1.67			2.25	1.50	6.45
-3.00	* 4.77	* 4.77	* 5.05	4.99	4.82	3.12	3.35	2.22					2.69	1.80	5.79
-4.00	* 4.90	* 4.90	* 5.51	5.12	4.93	3.21							3.64	2.43	4.83

- NOTE : 1. Lifting capacities are based on ISO 10567.
 2. Lifting capacities shown do not exceed 87% of machine hydraulic capacity or 75% of minimum tipping load.
 3. Capacities marked with an asterisk (*) are limited by hydraulic capacities.
 4. Lifting capacities are based on machine standing on firm, uniform supporting surface. User must make allowances for job conditions such as soft or uneven ground.
 5. Lifting capacities shown should not be exceeded. Weight of all lifting accessories must be deducted from the above lifting capacities.
 6. Capacities apply only to the machine as originally manufactured and equipped by KATO WORKS CO., LTD.
 7. The operator should be fully acquainted with the operation manual before operating the machine.