

KA-3000RX



*Traveling position in working site

<http://www.kato-works.co.jp>

- Study and follow the local regulation for driving position regarding mounting of Superstructure, Boom, Fly jib and Counter weight.
- Before you use the crane, study the instruction manual thoroughly and follow the instructions it contains.
- Some differences may arise between the machine delivered and the photographs in the catalog due to the country the crane will be used in or any added improvements.
Note : The specification may be changed without notice.
- The actual colors of the body and interior may appear slightly different from those shown in this catalogue due to the limitations of photography and printing.

● Contact for enquiry:

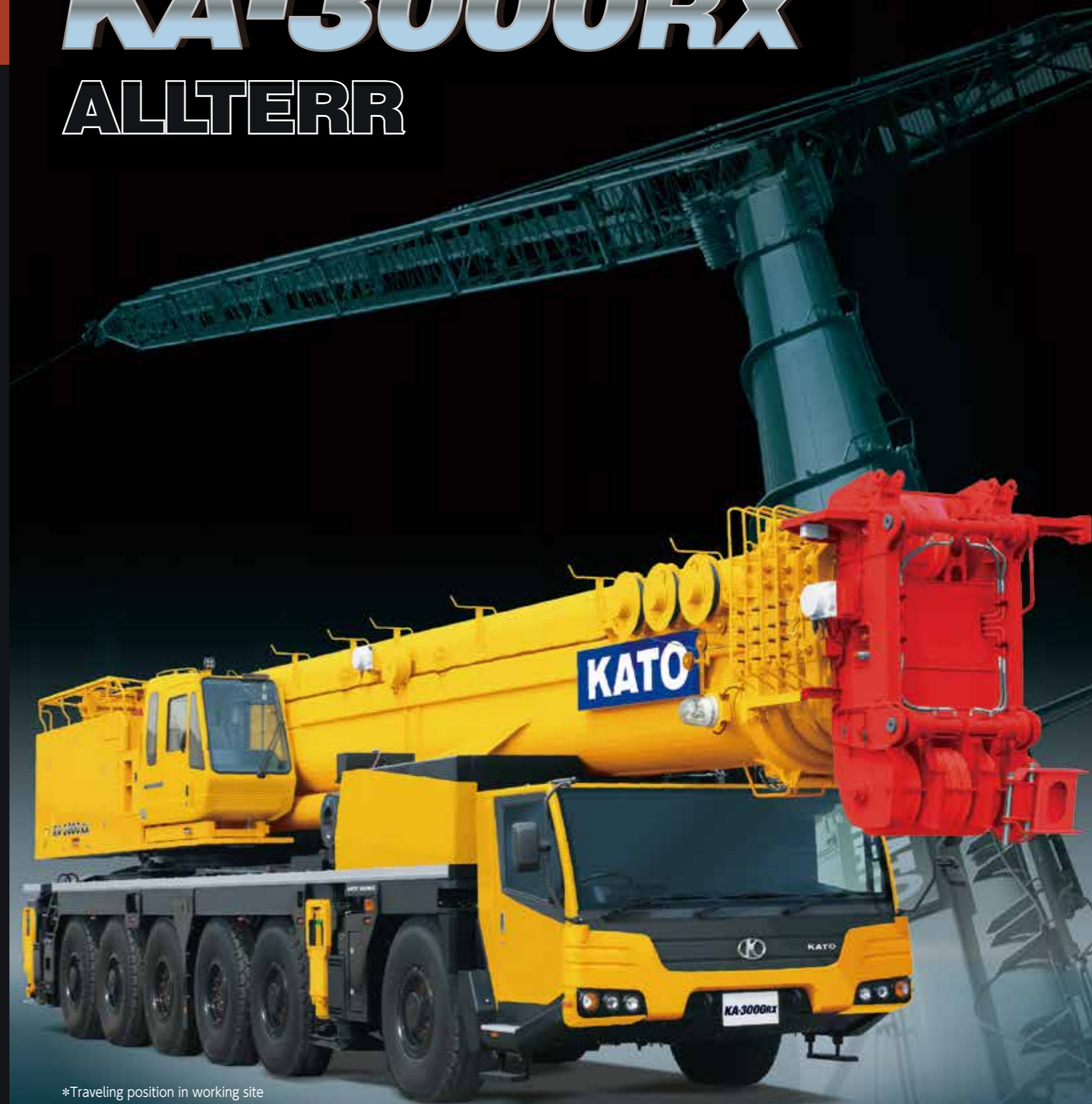
KATO KATO WORKS CO.,LTD.
QUALITY & EXPERIENCE
SINCE 1895

C05181
12.2019-1000(FB)1 Printed in Japan

KA-3000RX

9-37, Higashi-oh 1-chome, Shinagawa-ku, Tokyo, 140-0011, Japan / Tel.: Head Office: Tokyo (03) 3458-1111 Overseas Marketing Department: Tokyo (03) 3458-1115 / FAX: Tokyo (03) 3458-1163

KA-3000RX ALLTERR



*Traveling position in working site

KATO



Can accommodated for various applications and High lift.
4-section hydraulic super luffing jib



55m long & powerful, 5-section boom

Adopts a 5-section hydraulic system for long extension/retraction's stroke

- Strong and reliable speedy extension / retraction. Can be utilized in various worksites.

High rigidity by round-shaped boom

Boom lifting capacity

- Maximum rated lifting capacity..... **300t × 2.5m**
- Boom length..... **14.4m ~ 55.0m**
- Maximum rated lifting height..... **55.3m**
- Boom derricking angle..... **-1.0 ~ 85°**
- Maximum rated lifting capacity (fully extended)..... **32.0t**

- SL Jib length..... **2m base bracket + 10.85 ~ 35m**
- SL Jib offset angle..... **0 ~ 60°**
(SL Jib at 10.85m is 5° ~ 60°)

Super luffing jib lifting capacity

- Maximum rated lifting height..... **92m**
- 45m+2m+10.85mSL (5°)
Maximum rated lifting capacity..... **24t × 20m**
- 55m+2m+35mSL (0°)
Up to 35m working radius at maximum rated lifting..... **6.5t**
- 55m+2m+35mSL (55°)
Up to 48m radius at maximum rise up..... **1.4t**



10.85~35m

Equipped with slope support function

Cylinder for right/left slope adjustment

55mB+2m+35mSL
Offset 60°
Working radius
1.3t × 56m

55mB+2m+35mSL
Offset 0°
Maximum rated lifting height
6.5t × 92m

92m

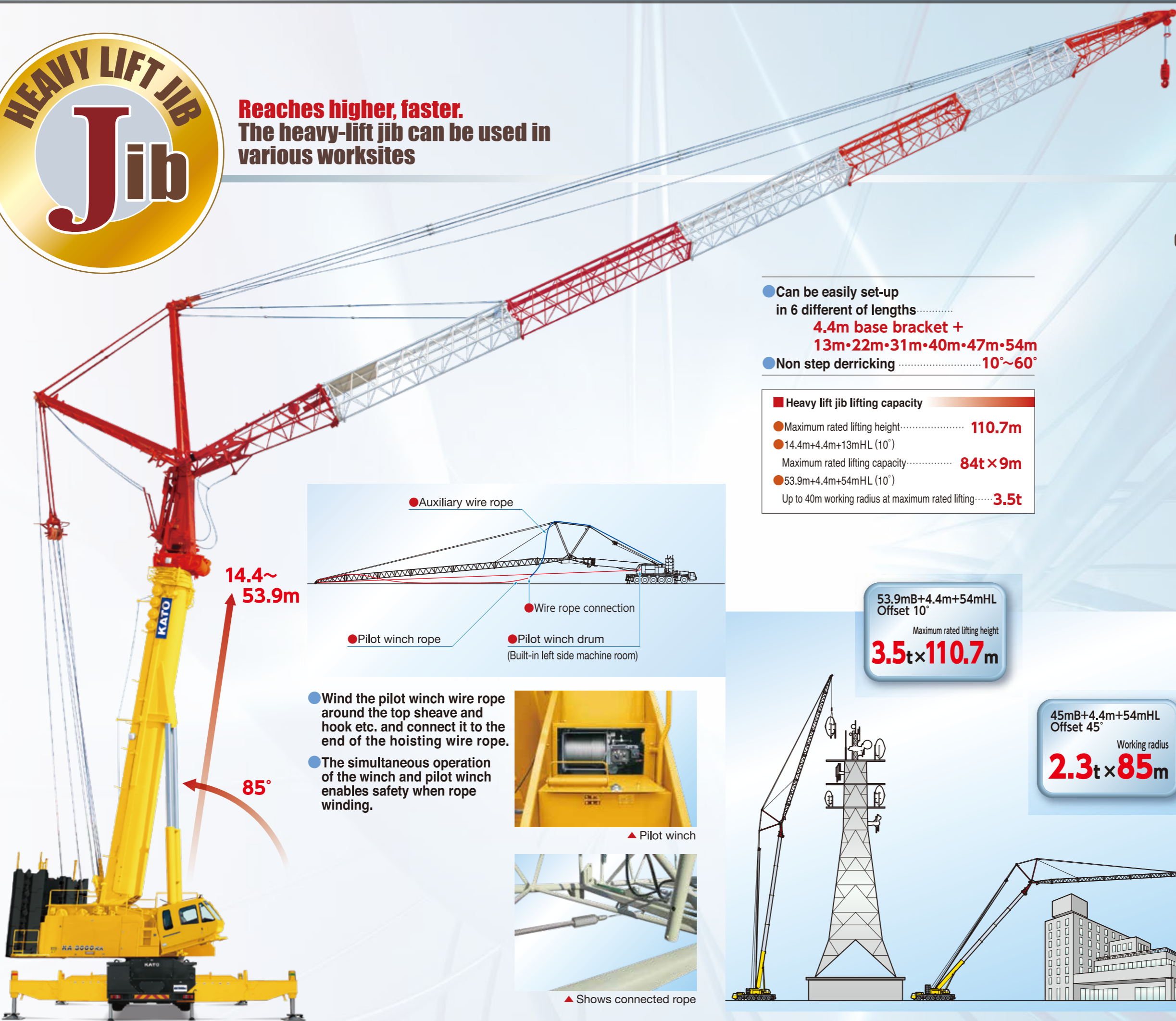
56m



Reaches higher, faster.
The heavy-lift jib can be used in various worksites

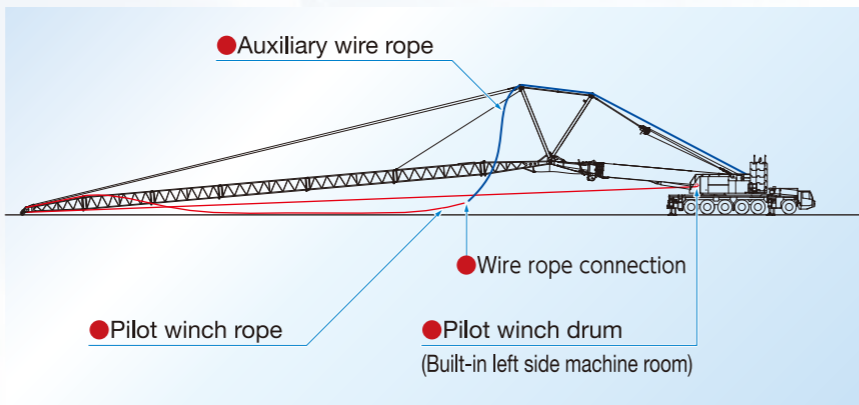
Can be moved in worksite even with 54m HL jib

Can be assembled in confined worksites by using the vertical-function



- Can be easily set-up in 6 different of lengths.....
4.4m base bracket + 13m•22m•31m•40m•47m•54m
- Non step derricking **10°~60°**

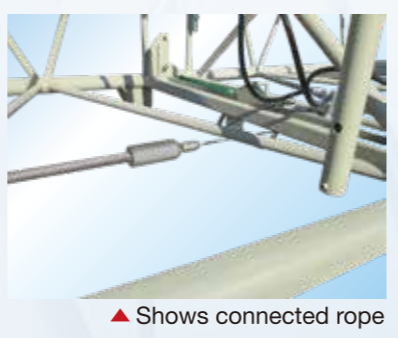
Heavy lift jib lifting capacity	
● Maximum rated lifting height.....	110.7m
● 14.4m+4.4m+13mHL (10°)	Maximum rated lifting capacity..... 84t×9m
● 53.9m+4.4m+54mHL (10°)	Up to 40m working radius at maximum rated lifting..... 3.5t



14.4~53.9m

85°

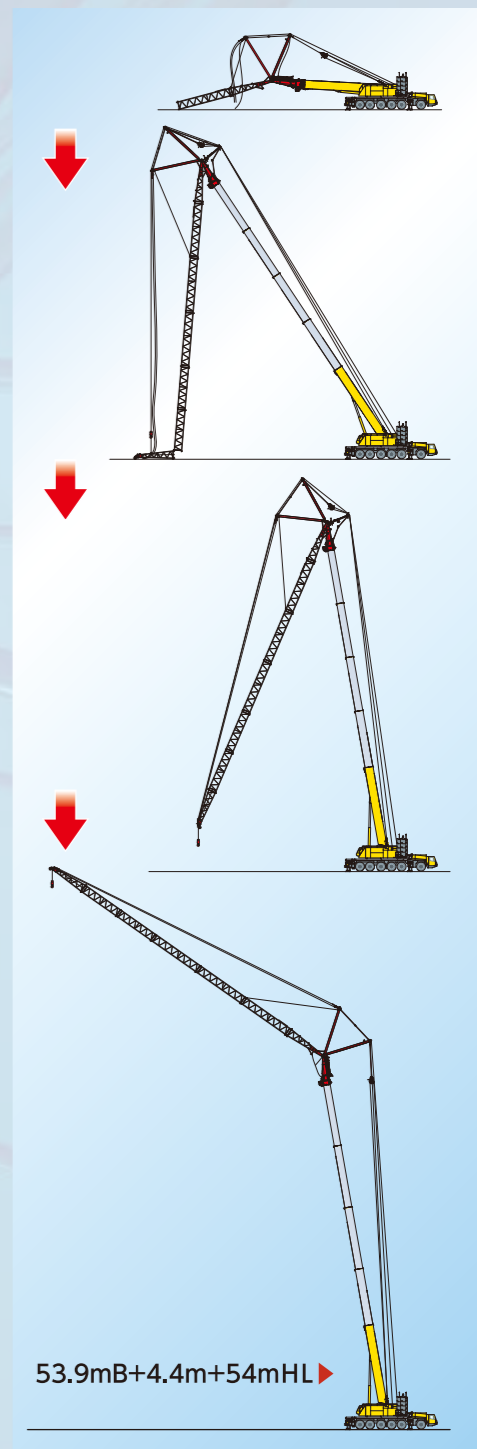
- Wind the pilot winch wire rope around the top sheave and hook etc. and connect it to the end of the hoisting wire rope.
- The simultaneous operation of the winch and pilot winch enables safety when rope winding.



53.9mB+4.4m+54mHL
Offset 10°
Maximum rated lifting height
3.5t×110.7m

45mB+4.4m+54mHL
Offset 45°
Working radius
2.3t×85m

- Pins can be inserted hydraulically during heavy-lift jib deployment.





Boom, luffing jib, heavy-lift assembly/disassembly are now speedy due to the modification of each connecting pin fixing mechanism

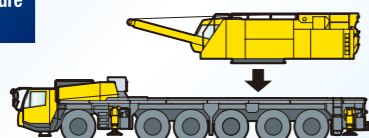


Side base weight is detachable. Work with the counterweight is equivalent to the carrier width

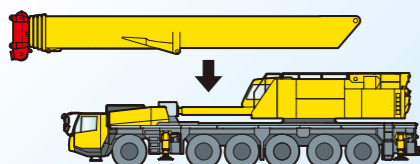
1: Carrier approach



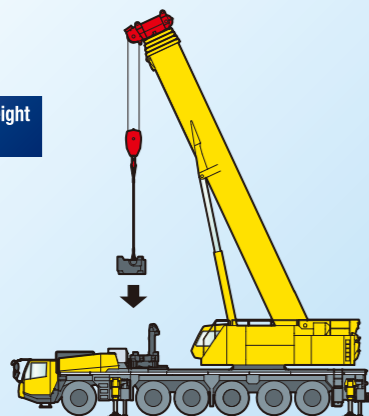
2: Upper slewing structure installation



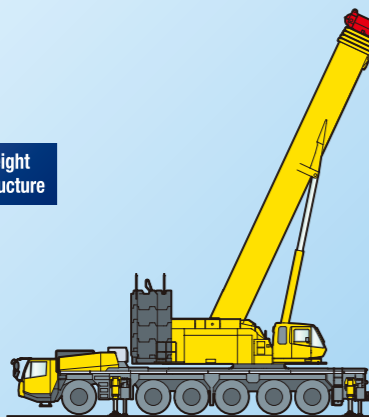
3: Boom installation



4: Installing counter weight on carrier upper side

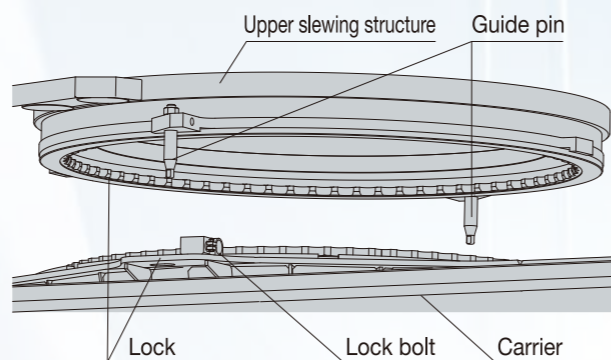


5: Installing counter weight on upper slewing structure



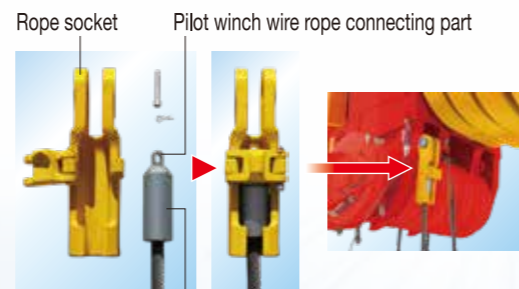
Bayonet mount mechanism adopted for slewing circle

- Equipped with guide pin that accurately determines the connecting position.
- Adoption of a Quick and Easy installation by using the bayonet mount mechanism also used in the KA-1300RX.

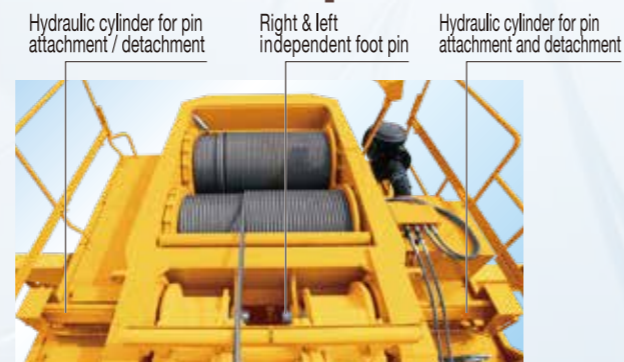


※Bayonet mount mechanism
Bayonet mount mechanism is used to fix overlapping lock of the slewing upper structure and lock of carrier by a slight slew operation and by aligning with guide pin.

Speedy hook installation by New type rope edge & socket



Speedy attachment and detachment due to division of the boom foot pin into two



1: No weight



2: Base + center 4 layers



3: Base+ center 4 layers + side 4 layers



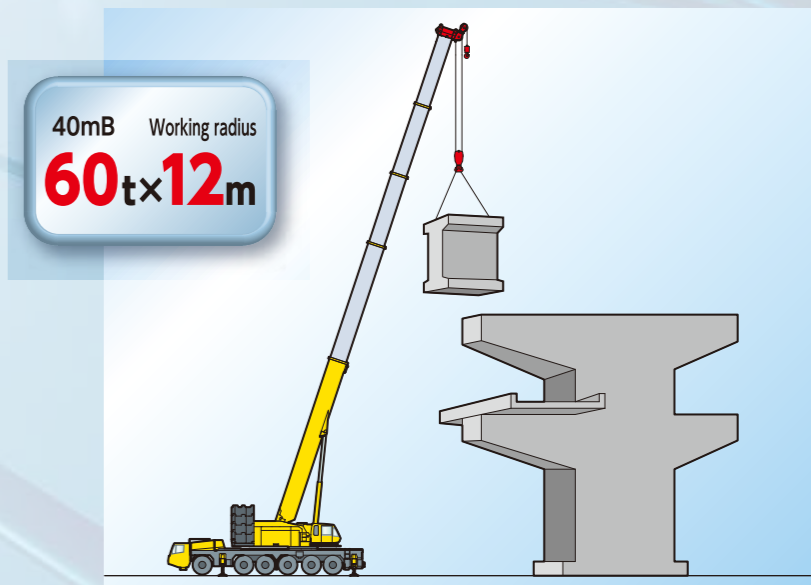
17 types of counter weight combinations

(105t~11t) (9 types of performance classifications)

- Similar counter weight shapes. Assembly order unchangeable.
- Depending on the situation at the worksite it is possible to change the combination with emphasis on height and width.
- Installing stanchions on weight.



▲ Example of counterweight assembly (detaching side base)





Carrier Wide cabin
Original carrier for Kato's All terrain crane



▲ large size retractable bed (2320mm×600mm)



▲ Instrument panel equipped with touch screen information display

◀ Large size cabin Wide visibility and comfortability



◀ Left and right hand drive are selectable

**Extremely little inner circle difference
Usually 6 axes steering system**

- "Crab steering" and "counter steering" operated with a switch in the cabin, enables smooth entrance in small sites.
- When driving in worksites the tight-turn performance can be used to turn in left/right in right-angle passages.
- Right-angle passage width..... **8.39m** (worksite traveling position)

Vehicle body position control ability

- The vehicle body position can be adjusted to the front-rear and left-right directions in accordance to the road surface conditions by extending/retracting the suspension cylinder.



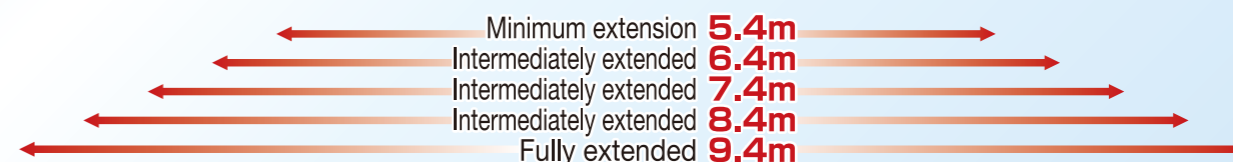
Outrigger Ensure safe and stable operation by 5-position outriggers

5-position outriggers



● Can be operated inside by control panel.

Side support



Outrigger control panel (Left side of carrier)

- Easy to set the crane level by using an electronic leveling device.
- Outrigger reaction force display function. (Can be also checked in cabin)



LCD touch screen panel▲

Safety brake system

- When going down a long slope, the combination of the retarder, exhaust brake + decompression brake ensures even safer driving.
- All wheels are equipped with full air disc brakes that are easy to maintain and do not easily fade.



- DEF SCR exhaust gas after-treatment device.
- Adopts an electronic fuel control system, a high power engine with low fuel consumption.
- EUROMOT IIIB compliant engine

■ Maximum power	405kW / 1800min ⁻¹
■ Maximum torque	2600N·m / 1300min ⁻¹



Safety, Comfortability & Advanced functions

Wide visibility, and lever arrangement with excellent operability. Ergonomically comfortable cabin

- Configuration of control levers are common to the KATO's rough terrain crane.
- The hydraulic pilot lever enables smooth operability with fine to high-speed operation.
- Wide visibility for both upper, right & left side.



※Monitor display is composite picture.

▲Cabin interior

Comfortable tilting cabin

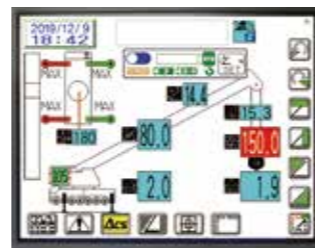
- Able to tilt from 0 to 15 degrees. Tilting type essential for long boom work. Provides a safe and pleasant work environment by securing the upward view.
- Air conditioner vents installed in the front.

New ACS is adopted Various function with touch screen color display

- Able to work with hook lift displayed and can be used in various conditions.
- The load factor limit function. It limits the load factor to 80%~100% of the rated lifting capacity by automatic crane stoppage and keeps a safe margin.
- Shows momentary and average wind speed on display.



▲Tilting cabin

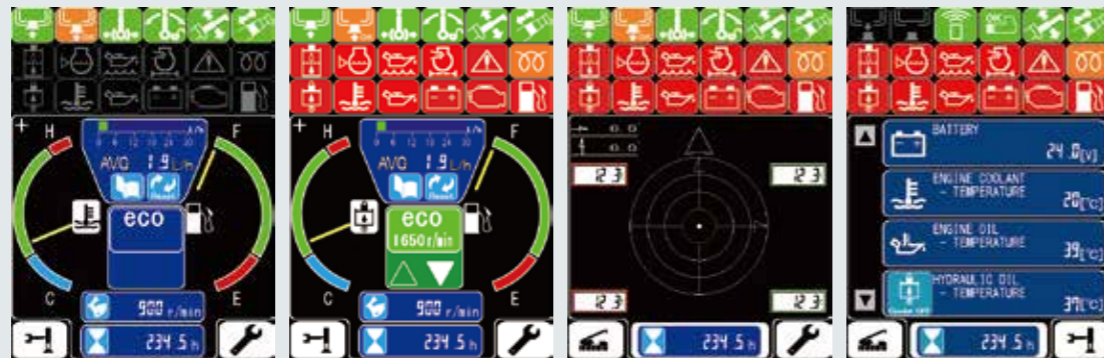


▲Touch panel color display

Newly adopted COR information touchscreen display

- This device always shows various other information e.g. fuel consumption etc, on the wide display. Greatly improves energy efficiency by checking working time and fuel consumption.
- During operation the ECO switch can reduce fuel consumption and noise by adjusting the max. engine speed to optimum working speed.

NEW ● Outrigger mode for checking outrigger reaction force from in the crane cabin.



▲Main screen

▲Main screen (Eco mode)

▲Outrigger mode

▲Maintenance mode



Progressive Features

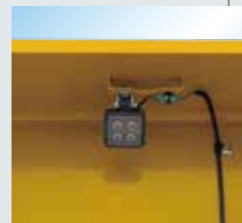
Equipment with reliability and usability is installed in necessary places



▲Catalyzer (Catalytic device)



▲LED Lamp (For boom foot pin)



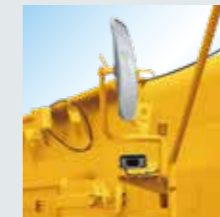
▲LED Lamp (For counter weight)



▲Rear view camera



*Traveling position in working site



▲Left side view camera



▲LED lamp (Left machine room)



▲Side marker lamp



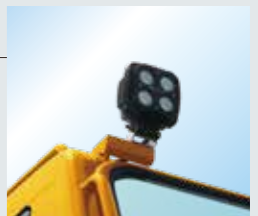
▲Outrigger touch screen control panel



▲DEF tank



▲ACS outside LED lamp



▲LED Lamp (Cab)



▲Winch camera & lamp



▲Electric retractable step



▲Slide step (Cab)